

Level Sensors

Capacitive Level Detector

Type CD50 CNF 06 NO

CARLO GAVAZZI



- Basic capacitive water level sensor
- For water storage tanks in mini-pools and whirlpools
- Detection of excess water in the whirlpool tub
- Safety device to control the operation of the pump
- Mounting by screws or glued on the outside of any non-metallic tank
- Supply 10-30 VDC or 5 VDC

Product Description

Capacitive level detectors. 3-wire DC sensors with open collector NPN or PNP transistor output. The sensors is available in a 5 VDC version and a 10-30 VDC version.

The sensing distance is fixed and works through a non-metallic wall of up to 20 mm of thickness.

Ordering Key

CD50 CNF 06 NO

Capacitive proximity switch	_____
Housing style	_____
Housing size	_____
Housing material	_____
Housing length	_____
Detection principle	_____
Sensing distance	_____
Output type	_____
Output configuration	_____

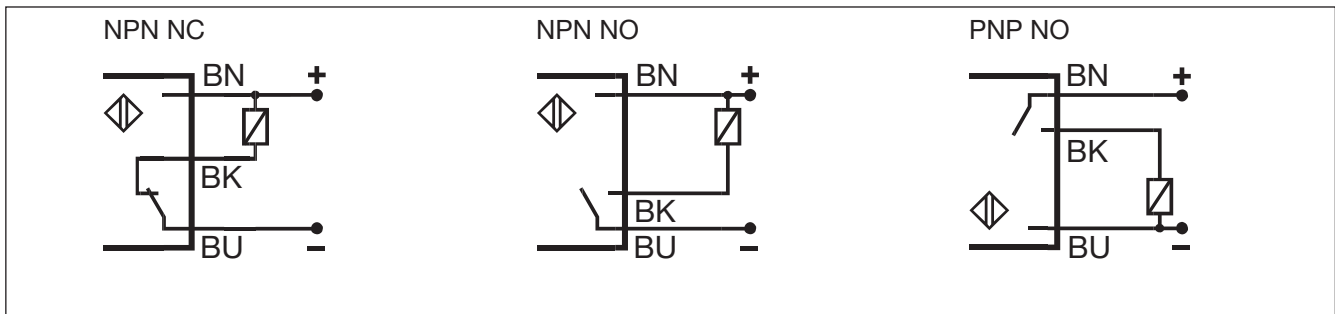
Type Selection

Supply	Housing size (mm)	Rated operating distance (S _n)	Mounting	Ordering no. Transistor NPN/ cable, make switching	Ordering no. Transistor NPN/ cable, break switching	Ordering no. Transistor PNP/ cable, make switching
10-30 VDC	50 x 30 x 7	10 mm	M3 screws or glued	CD50CNF10NO	CD50CNF10NC	CD50CNF10PO
10-30 VDC	50 x 30 x 7	7 mm	M3 screws or glued		CD50CNF07NC	CD50CNF07PO
10-30 VDC	50 x 30 x 7	6 mm	M3 screws or glued	CD50CNF06NO		
5 VDC	50 x 30 x 7	5 mm	M3 screws or glued	CD50CNF05NO		

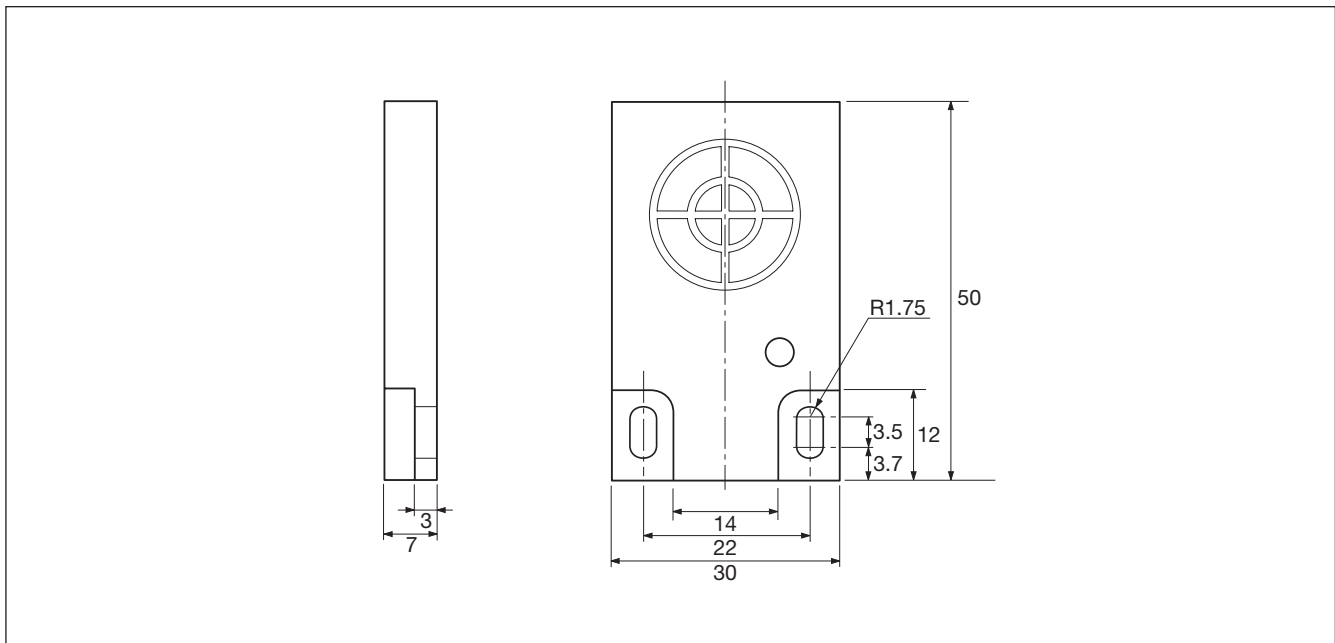
Specifications

Rated operation dist. (S_n) Fixed CD50CNF10XX Fixed CD50CNF07XX Fixed CD50CNF06NO Fixed CD50CNF05NO	10 mm (ref. st. 37 grounded) 7 mm (ref. st. 37 grounded) 6 mm (ref. st. 37 grounded) 5 mm (ref. st. 37 grounded)	Output CD50CNFXXNO CD50CNFXXNC CD50CNFXXPO	Open collector, NPN, make switching Open collector, NPN, break switching Open collector, PNP, make switching
Rated operational volt. (U_e) Fixed CD50CNF10-07-06XX Fixed CD50CNF05NO	10-30 VDC ± 10% (ripple included) 5 VDC ± 10% (ripple included)	Environment Degree of protection Operating temperature Storage temperature	IP 67 0 to +60°C (32 to +140°F) -30 to +75°C (-22 to +167°F)
Ripple	≤ 10%	Housing material	Noryl, grey
Rated operational current (I_o) Continuous	≤ 50 mA	Connection Cable	2.0 m, 3 x 0.25 mm ² grey PVC, oil proof
No-load supply current (I_o)	≤ 10 mA	Weight	120 g
Leakage current	< 100 μA	CE-marking	Yes
Voltage drop (U_d) @ 50 mA	1.5 V		
Frequency of operating cycles (f) CD50CNF10XX CD50CNF07XX CD50CNF06XX CD50CNF05XX	10 Hz 10 Hz 10 Hz 10 Hz		

Wiring Diagram



Dimensions



Delivery Contents

- Capacitive switch
- **Packaging:** Plastic bag